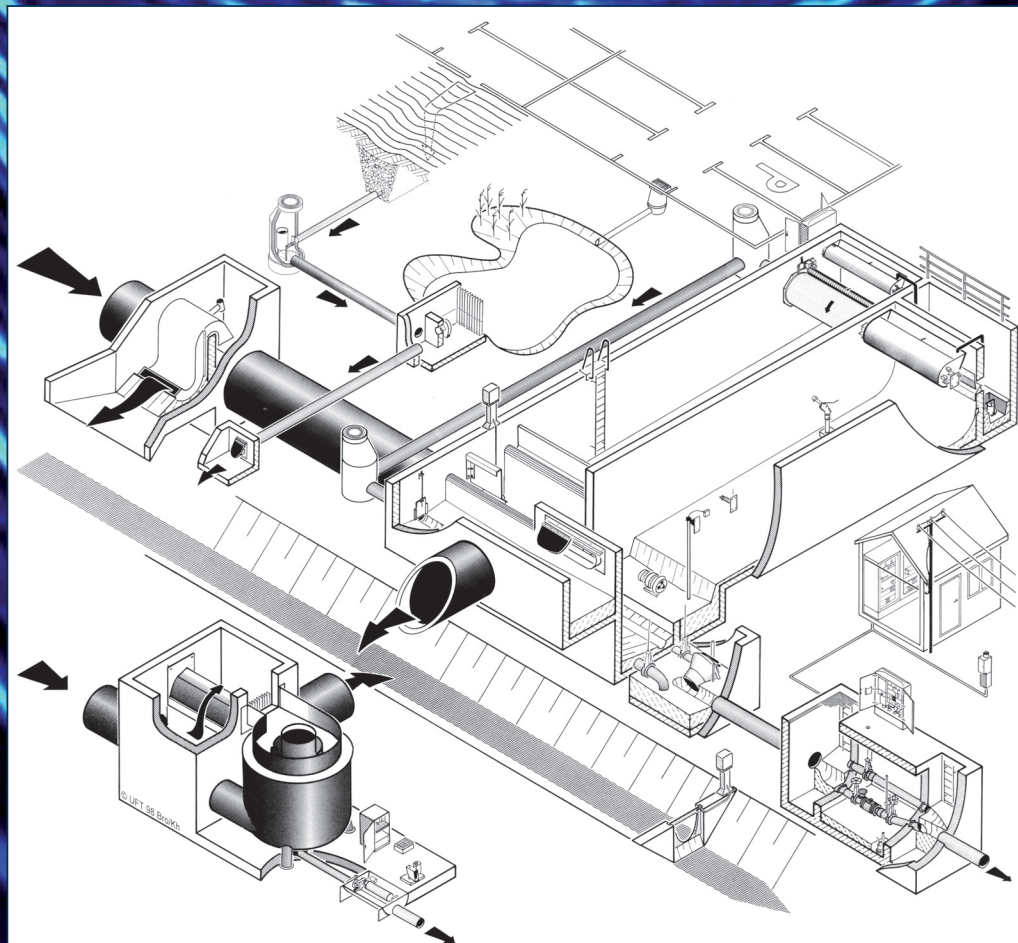


**Storm water treatment
Waste water technology
Urban hydrology**



**Umwelt- und Fluid- Technik
Dr. H. Brombach GmbH
www.uft-brombach.de**

 **PFT, s.r.o.**

**Prostředí a fluidní technika, s.r.o.
www.pft-uft.cz, email: pft@pft-uft.cz**

Storm Water Management by UFT

UFT was formed in 1977 in Germany. The starting capital consisted of patents in devices without moving parts, which can automatically regulate the flow of any fluid in response to the strength of the current. This initial research led into innovations like the Vortex Valves. We have specialized not only in the control of storm water and sewerage flows but also in the full technical equipment of overflows (CSO) and overflow tanks. The UFT group has made a significant contribution in the field of water protection. In Germany, devices from our company operate in over 10 000 water treatment facilities. UFT is composed of three specialist divisions: Hydromechanics, Electrical engineering, Scientific Services. The team work of these divisions effects a synergy that results in the processing and solution of the most complex assignments. The UFT group has branches, subsidiaries and licensed partners in Europe, America and the Far East. The company is 100% privately owned.

Umwelt- und Fluid- Technik Dr. H. Brombach GmbH
www.uft-brombach.de

PFT, s.r.o subsidiary
for the Czech Republic
was formed in 1995.

 **PFT, s.r.o.**

Prostředí a fluidní technika, s.r.o.
www.pft-uft.cz, email: pft@pft-uft.cz